

## Instruction for Use

### Trade Name: KUB Board

#### Warning

When using operating table accessories, always pay close attention to the patient. Patients left in the same posture for an extended period of time are at risk for developing nerve paralysis and/or bedsores.

#### Contraindication/Prohibition

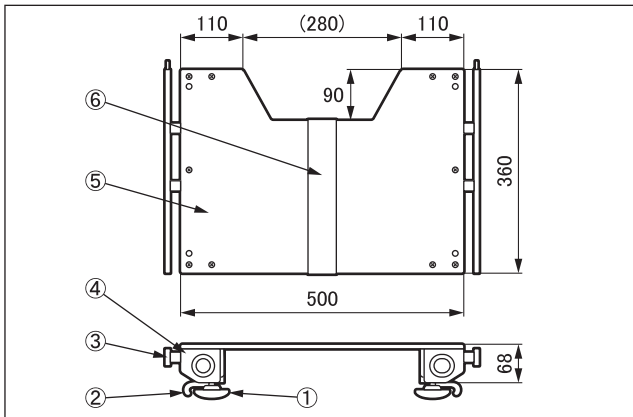
1. This product is only validated for use with Mizuho operating tables.
2. Use only on the models listed in **Instructions for use**, 2. Applicable operating tables.

#### Symbol mark for labeling

**MD** : Medical Device

#### Specifications

1. Shape Unit: mm



Code No.	Product Description	Side rail height	Side rail thickness
08-072-10-R1	KUB board (R1)	28.6mm	9.4mm
08-072-10-R2	KUB board (R2)	25mm	10mm

2. Weight: 6.7kg
  3. Material
    - ① Fixing handle(s): Stainless steel bar
    - ② Release lever(s): Carbon steels for machine structural use
    - ③ Side rail(s): Stainless steel bar
    - ④ Frame: Aluminum alloy casting
    - ⑤ Board: Thermosetting laminated plate
    - ⑥ Attachment tape: Nylon
- Note: The number corresponds to those used in 1. Shape.

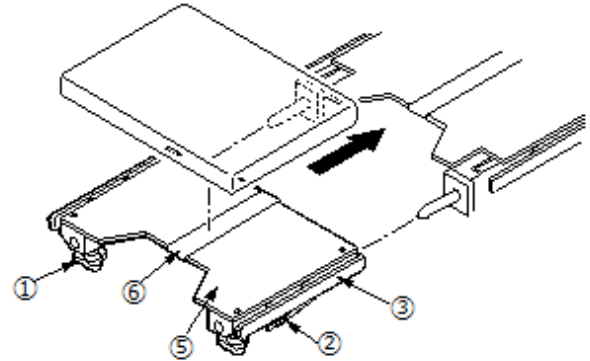
#### Intended purpose

This is an accessory of operating tables. This product is attached to the waist plate of the operating table from which the leg plate is removed. It is used as an attachment for surgery of urinary organ.

#### Intended user

This product is to be used by health care professionals, including but not limited to surgeons, nurses and biomedical technicians.

#### Instructions for use



1. Attachment
  - 1-1 While pressing the Release levers ②, insert the Board ⑤ to the insertion shafts of the waist plate of the operating table.
  - 1-2 Attach a mattress to the Attachment tape ⑥.
  - 1-3 When necessary, attach other devices to the insertion holes of the Frame ④ with the Fixing Handles ① or to the Side rails ③.

Note: Mattress is not included.
2. Applicable operating tables
 

Refer to the brochure "OPERATING TABLE ACCESSORIES" of Mizuho.

#### Warning/ Caution

1. Warning
 

Ensure all fixing handles are tight. Loose condition can cause the product to come off or move, which may result in a patient injury.
2. Important cautions
  - 2-1. When working with an operating table, take care not to allow this product to make contact or interfere with the table top or with other tools and appliances used in combination with this product. Otherwise the product could break.
  - 2-2. For hygiene, be sure to use sterilized drapes on the areas on this product where the patient comes into contact with it.

#### Storage/Life

1. Do not store the device in high temperatures or in areas with high humidity where the temperature has drastic variations.
2. Service life of this product: 7 years  
(Subject to the specified maintenance and inspection and is stored properly.)

#### Maintenance/Inspection

<By the user>

1. Inspection before and after use
 

Check that this product is not damaged or broken before and after each use.
2. Cleaning and disinfection
 

Wipe off blood, chemicals, contaminants, and other stains with water, and clean the device with gauze or other material moistened with alcohol to disinfect.
3. In case of a malfunction
 

When this product is broken, clearly label the device as "Broken", "Do not use", "Need repair", etc., and contact your local dealer or Mizuho.

<By agents>

Maintenance and inspection can only be carried out by certified agents of Mizuho.

**Packing**

1 piece per pack

**Warranty**

MIZUHO Corporation will repair defective parts of this product without charge for one year from the date of delivery/installment except for cases of damage caused by a third party's repair, act of nature, improper use or intentional damage. All other warranty terms and conditions are subject to regulations of MIZUHO Corporation.

**Disposal**

This device must be disposed of in accordance with local regulations. Please contact your local distributor for proper disposal.

**Notice**

Any serious incident that has occurred in relation to the device should be reported to the manufacturer and the competent authority in which the user and/or patient is established.

**Manufacturer**

MIZUHO Corporation  
3-30-13 Hongo, Bunkyo-ku, Tokyo 113-0033, Japan  
<http://www.mizuho.co.jp>

**European authorized representative**

Emergo Europe B.V.  
Prinsessegracht 20, 2514 AP, The Hague  
The Netherlands